

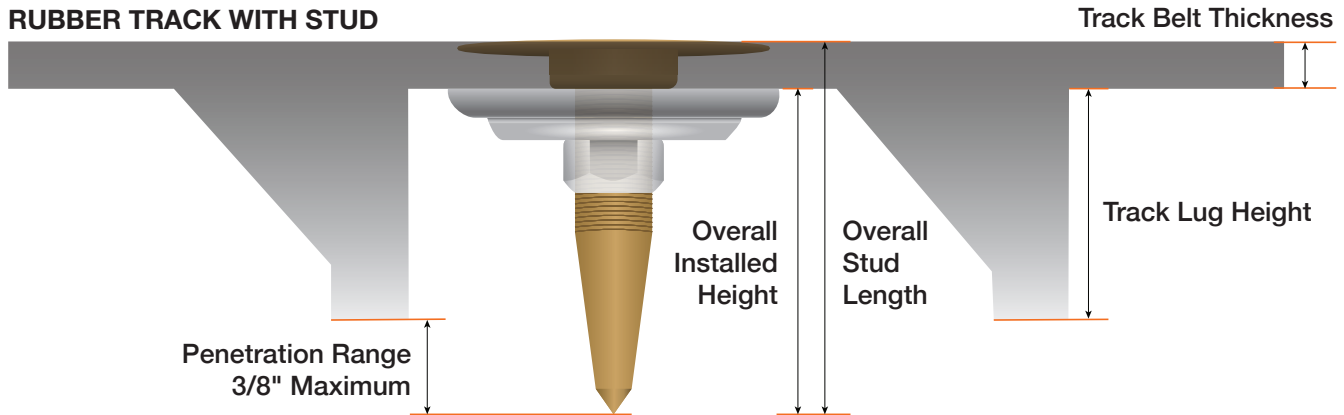


TECHNICAL TIPS

G1-06-0001-6 (INCHES)



RUBBER TRACK WITH STUD



WOODY'S PENETRATION RECOMMENDATION FOR TRAIL RIDING IS 3/8" MAX

TRACK LUG HEIGHT <small>*VARIABLE - 0-3%</small>	PENETRATION RANGE <small>*VARIABLE +/- .015</small>	OVERALL STUD LENGTH <small>5/16" Stud</small>	OVERALL INSTALLED HEIGHT <small>5/16" Stud</small>	GOLD DIGGER® TRACTION MASTER® <small>5/16" Stud</small>	MEGA-BITE® <small>5/16" Stud</small>	SIGNATURE SERIES™ <small>5/16" Stud</small>	GRAND MASTER® <small>Single-Ply 5/16" Stud</small>	GRAND MASTER PRO™ <small>Single-Ply 5/16" Stud</small>	TRIGGER™ <small>5/16" Stud</small>	CHISEL TOOTH™ <small>5/16" Stud</small>
0.525	0.345 - 0.375	1.160	1.000	GDP6-7500 <small>(7mm stud)</small>	-	-	-	-	-	-
0.750	0.345 - 0.375	1.265	1.125	GDP6-8755	-	-	-	-	-	-
0.820	0.295 - 0.325	1.265	1.125	GDP6-8755	-	-	-	-	-	-
	0.320 - 0.350	1.340	1.170	GDP6-9205	-	-	-	-	-	-
	0.400 - 0.430	1.420	1.250	GDP6-1005	-	SSP-1005	-	-	-	-
0.850	0.245 - 0.275	1.265	1.125	GDP6-8755	-	-	-	-	-	-
	0.310 - 0.340	1.340	1.170	GDP6-9205	-	-	-	-	-	-
	0.370 - 0.400	1.420	1.250	GDP6-1005	-	SSP-1005	-	-	-	-
0.880	0.215 - 0.245	1.265	1.125	GDP6-8755	-	-	-	-	-	-
	0.270 - 0.300	1.340	1.170	GDP6-9205	-	-	-	-	-	-
	0.350 - 0.380	1.420	1.250	GDP6-1005	-	SSP-1005	-	-	-	-
0.910	0.320 - 0.350	1.420	1.250	GDP6-1005	-	SSP-1005	-	-	-	-
	0.390 - 0.420	1.495	1.330	GDP6-1075	MEG-1075	SSP-1075	GMP-1075	GMPP-1075	TRIG-1075	CAP-1075
0.920	0.310 - 0.340	1.420	1.250	GDP6-1005	-	SSP-1005	-	-	-	-
	0.380 - 0.410	1.495	1.330	GDP6-1075	MEG-1075	SSP-1075	GMP-1075	GMPP-1075	TRIG-1075	CAP-1075
1.000	0.220 - 0.250	1.420	1.250	GDP6-1005	-	SSP-1005	-	-	-	-
	0.300 - 0.330	1.495	1.330	GDP6-1075	MEG-1075	SSP-1075	GMP-1075	GMPP-1075	TRIG-1075	CAP-1075
1.100	0.320 - 0.350	1.600	1.425	GDP6-1175	MEG-1175	SSP-1175	-	-	-	CAP-1205
1.250	0.320 - 0.350	1.740	1.580	GDP6-1325-S	MEG-1325-S	SSP-1325-S	GMP-1325	GMPP-1325	TRIG-1325	CAP-1325
1.375	0.345 - 0.375	1.875	1.700	GDP6-1450-S	MEG-1450-S	SSP-1450-S	GMP-1450	GMPP-1450	TRIG-1450-S	-
1.500	0.345 - 0.375	1.980	1.825	GDP6-1575-L	MEG-1575-L	-	GMP-1575	GMPP-1575	TRIG-1575-S	-

*Woody's recommends .375" maximum for optimum penetration. Deviating from this recommendation can result in premature track wear, tunnel damage, and/or loss of control. Rows highlighted in gray are Woody's recommendation for that lug height. Other options are based on preference.

IMPORTANT!

Review the snowmobile and track manufacturer's studding recommendation in your owner's manual. You may void your warranty if their recommendations are not followed. Consult your snowmobile dealer about added tunnel protection.



TECHNICAL TIPS

G1-06-0001-6 (MM)



RUBBER TRACK WITH STUD

Track Belt Thickness

Penetration Range
10mm Maximum

Overall
Installed
Height

Overall
Stud
Length

Track Lug Height

WOODY'S PENETRATION RECOMMENDATION FOR TRAIL RIDING IS 10mm MAX

TRACK LUG HEIGHT *VARIABLE - 0-3%	PENETRATION RANGE *VARIABLE +/- .38mm	OVERALL STUD LENGTH 5/16" Stud	OVERALL INSTALLED HEIGHT 5/16" Stud	GOLD DIGGER® TRACTION MASTER® 5/16" Stud	MEGA-BITE® 5/16" Stud	SIGNATURE SERIES™ 5/16" Stud	GRAND MASTER® Single-Ply 5/16" Stud	GRAND MASTER PRO™ Single-Ply 5/16" Stud	TRIGGER™ 5/16" Stud	CHISEL TOOTH™ 5/16" Stud
13.3mm	8.8mm - 9.5mm	29.5mm	25.4mm	GDP6-7500 (7mm stud)	-	-	-	-	-	-
19.1mm	8.8mm - 9.5mm	32.1mm	28.6mm	GDP6-8755	-	-	-	-	-	-
20.8mm	7.5mm - 8.3mm	32.1mm	28.6mm	GDP6-8755	-	-	-	-	-	-
	8.1mm - 8.9mm	34.0mm	29.7mm	GDP6-9205	-	-	-	-	-	-
	10.2mm - 10.9mm	36.1mm	31.8mm	GDP6-1005	-	SSP-1005	-	-	-	-
21.6mm	6.2mm - 7.0mm	32.1mm	28.6mm	GDP6-8755	-	-	-	-	-	-
	7.9mm - 8.6mm	34.0mm	29.7mm	GDP6-9205	-	-	-	-	-	-
	9.4mm - 10.2mm	36.1mm	31.8mm	GDP6-1005	-	SSP-1005	-	-	-	-
22.4mm	5.5mm - 6.2mm	32.1mm	28.6mm	GDP6-8755	-	-	-	-	-	-
	6.9mm - 7.6mm	34.0mm	29.7mm	GDP6-9205	-	-	-	-	-	-
	8.9mm - 9.7mm	36.1mm	31.8mm	GDP6-1005	-	SSP-1005	-	-	-	-
23.1mm	8.1mm - 8.9mm	36.1mm	31.8mm	GDP6-1005	-	SSP-1005	-	-	-	-
	9.9mm - 10.7mm	38.0mm	33.8mm	GDP6-1075	MEG-1075	SSP-1075	GMP-1075	GMPP-1075	TRIG-1075	CAP-1075
23.4mm	7.9mm - 8.6mm	36.1mm	31.8mm	GDP6-1005	-	SSP-1005	-	-	-	-
	9.7mm - 10.4mm	38.0mm	33.8mm	GDP6-1075	MEG-1075	SSP-1075	GMP-1075	GMPP-1075	TRIG-1075	CAP-1075
25.0mm	5.6mm - 6.4mm	36.1mm	31.8mm	GDP6-1005	-	SSP-1005	-	-	-	-
	7.6mm - 8.4mm	38.0mm	33.8mm	GDP6-1075	MEG-1075	SSP-1075	GMP-1075	GMPP-1075	TRIG-1075	CAP-1075
28.0mm	8.1mm - 8.9mm	40.6mm	36.2mm	GDP6-1175	MEG-1175	SSP-1175	-	-	-	CAP-1205
31.8mm	8.1mm - 8.9mm	44.2mm	40.1mm	GDP6-1325-S	MEG-1325-S	SSP-1325-S	GMP-1325	GMPP-1325	TRIG-1325	CAP-1325
34.9mm	8.8mm - 9.5mm	47.6mm	43.2mm	GDP6-1450-S	MEG-1450-S	SSP-1450-S	GMP-1450	GMPP-1450	TRIG-1450-S	-
38.1mm	8.8mm - 9.5mm	50.3mm	46.4mm	GDP6-1575-L	MEG-1575-L	-	GMP-1575	GMPP-1575	TRIG-1575-S	-

*Woody's recommends .375" maximum for optimum penetration. Deviating from this recommendation can result in premature track wear, tunnel damage, and/or loss of control. Rows highlighted in gray are Woody's recommendation for that lug height. Other options are based on preference.

IMPORTANT!

Review the snowmobile and track manufacturer's studding recommendation in your owner's manual. You may void your warranty if their recommendations are not followed. Consult your snowmobile dealer about added tunnel protection.